

Immersion pumps

Type MSPV 71- 80

Usages:

The pumps are suitable to transfer liquids containing impurities measuring up to 2-3 mm. The hydraulic components, allow the pumps to be used with water, emulsions and oily substances in general, with a maximum viscosity of 21 cSt (3° Engler).

The temperature of the liquid must not exceed 70° C.

They are usually used on:-

- Machine tools (milling machines . lathes)
- Glass processing machines (washing machines)
- Printing
- Air conditioning systems
- Filtration systems

They should usually be installed on a tank, with a capacity in proportion to the flow rate, at about 4-5 cm. from the bottom. It is important to check that the maximum level of the liquid in the tank always remains 3-4 cm. lower than the flange (see figure).

In cases where the liquid is particularly dirty, the user is recommended to construct the tank in compartments to allow the dirt to deposit before it is stirred up by the pump.

For other usages you are advised to consult our technical office

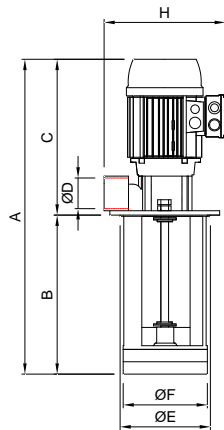


Table of dimensions and weights

Type pump	A mm	B mm	C mm	ØD	ØE mm	ØF mm	ØG mm	H mm	ØI mm	ØL mm	Weight kg
MSPV 71	500	230	270	1-1/4+	139	138	178	215	160	9 (n.4)	9,70
	570	300									9,80
	650	380									9,90
MSPV 80	560	260	300	1-1/4+	139	138	178	230	160	9 (n.4)	13,70
	630	330									13,90
	710	410									14,00

Electrical features (standard)

Type pump	kW		V 230/400 - Hz 50				
	Input (P1)	Nom. (P2)	In Amp.	n min ⁻¹	cos	Q - Qmax litres/min	Hmax - H metres
MSPV 71	1,10	0,81	3,40/2,00	2830	0,78	1 - 165	19 - 1
MSPV 80	1,80	1,43	5,40/3,15	2880	0,81	5 - 170	27 - 1

Performances curves (open impellers) Hz 50

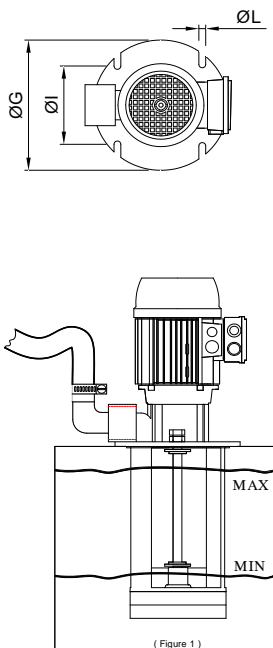
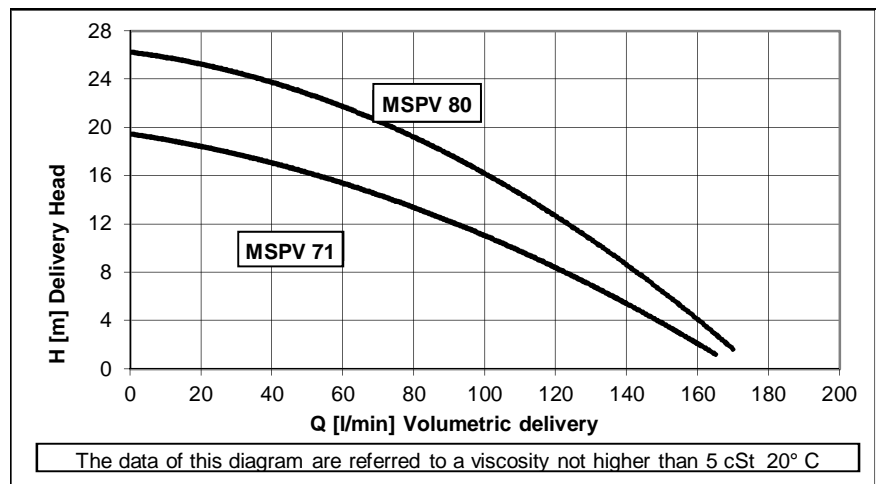
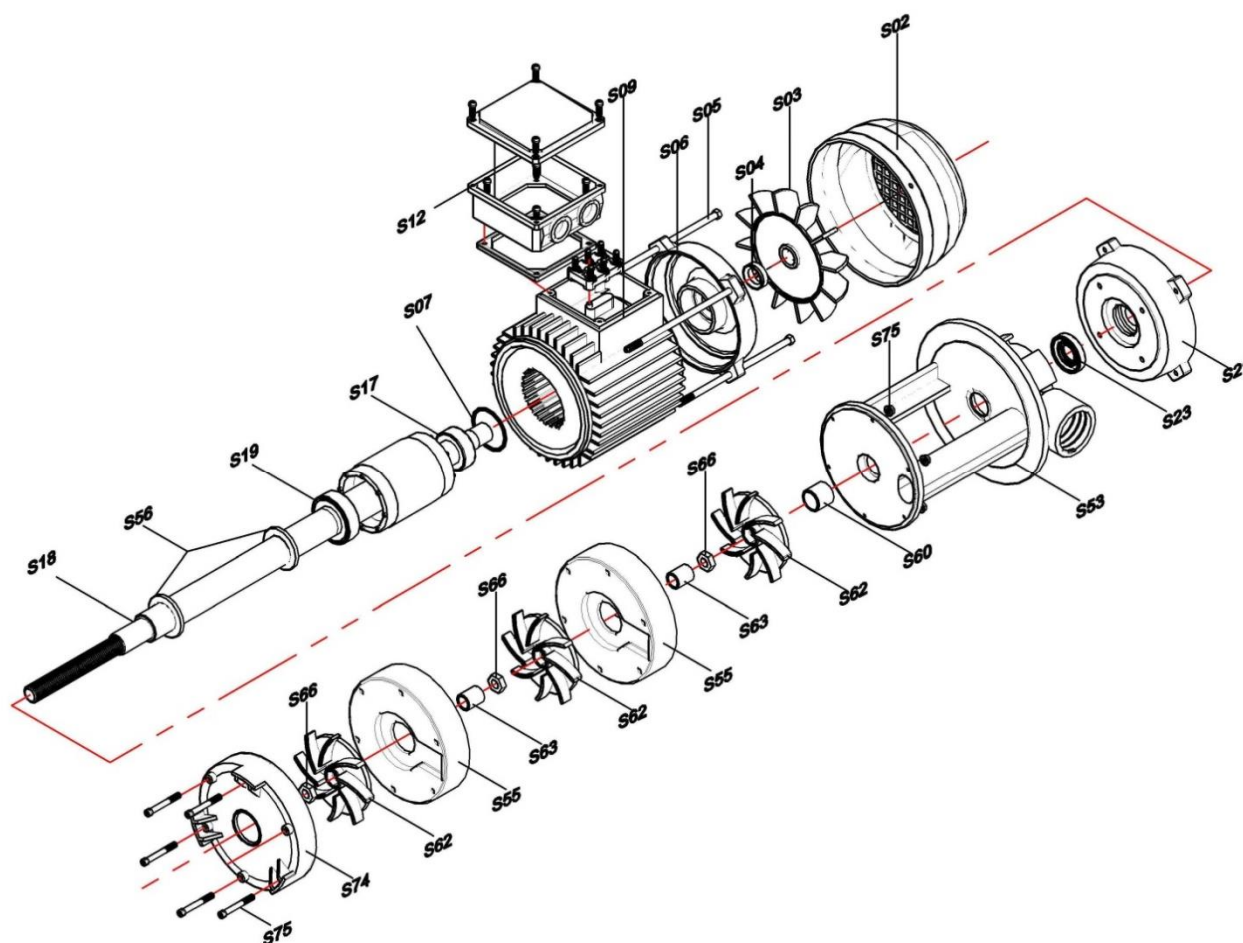


Table hydraulic features Standard execution - (open impellers) Hz 50

Delivery head metres (H)	0	4	8	10	12	16	20	22	24	26	28
Type pump	Volumetric delivery litres/min (Q)										
MSPV 71	165	150	120	107	90	53	0				
MSPV 80	170	160	145	130	125	105	78	60	40	26	0



Nomenclature spare parts

<u>Item</u>	<u>Component</u>	<u>Material MSPV 71</u>	<u>Material MSPV 80</u>
S02	Fan cover	Nylon	Nylon
S03	Fan	Nylon	Nylon
S04	Rear seal ring	NBR Ø 16	NBR Ø 16
S05	Rod	Steel	Steel
S06	Rear shield (not drive)	Aluminium	Aluminium
S07	Spring ring	Steel Ø 40	Steel Ø 47
S08	Frame	Aluminium	Aluminium
S09	Wound stator	Steel-copper wires-insulating	Steel-copper wires-insulating
S12	Terminal box	Nylon	Nylon
S17	Rear bearing	6203 zz - steel	6204 zz - steel
S18	Shaft with rotor	Steel Aisi 420-steel-aluminium	Steel Aisi 420-steel-aluminium
S19	Front bearing (drive)	6304 zz - steel	6205 zz - steel
S21	Front shield (drive)	Aluminium	Aluminium
S23	Front seal ring	NBR 20X40X7	NBR 25X40X5
S53	Pump body	PA6 . reinforced fiber glass	PA6 . reinforced fiber glass
S55	Diffusers	PA6 . reinforced fiber glass	PA6 . reinforced fiber glass
S56	Rubber washer	PBT	PBT
S60	Bush	Polymer	Polymer
S62	Impellers	PA6 - reinforced fiber glass	PA6 - reinforced fiber glass
S63	Spacers	Steel - Aisi 420	Steel - Aisi 420
S66	Screw for impellers fixing	Steel - Aisi 316	Steel - Aisi 316
S74	House impeller	PA6 - reinforced fiber glass	PA6 - reinforced fiber glass
S75	Screws for house impeller fixing	Steel - Aisi 316	Steel - Aisi 316