

ART. T480

ROUND TUBE INSERT

WWW.TGCOM.IT

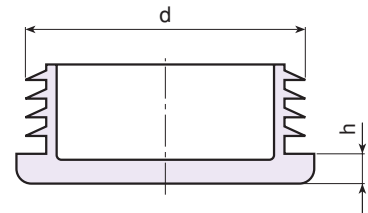
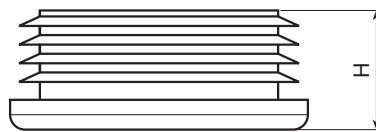
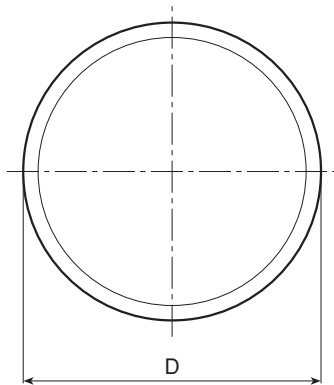
Polyethylene (LDPE).

SURFACE:
Satin.

COLOUR:
Black (RAL 9011).

SPECIAL REQUESTS:

- None.



Art.	D	H	h	d - Tube thickness (min - max)	Weight (gr)
T480010.D01	10	15	3,5	1-2	0,5
T480012.D01	12	15	3,5	1-2	0,5
T480013.D01	13	15	4,5	1-2	0,5
T480014.D01	14	17	5	1-2	1
T480015.D01	15	16	5	1-2	1
T480016.D01	16	17	5	1-2	1,5
T480018.D01	18	17	5	1-2,5	1,5
T480019.D01	19	17	5	1-2,5	1,8
T480020.D01	20	17	5	1-2,5	2
T480022.D01	22	17	5	1-3	2
T480023.D01	23	17	5	1-2,5	2,5
T480024.D01	24	17	5	1-2,5	2,5
T480025.D01	25	17	5	1-3	2,5
T480026.D01	26	17	5	1-3	3
T480027.D01	27	17	5	1-3	3
T480028.D01	28	17	5	1-2,5	3
T480030.D01	30	17	5	1-2,5	4
T480032.D01	32	17	5	1-2,5	3,5
T480034.D01	34	17	5	1-3	5
T480035.D01	35	17	5	1-3	4,5
T480036.D01	36	17	5	1-3	4,5

Art.	D	H	h	d - Tube thickness (min - max)	Weight (gr)
T480037.D01	37	17	5	1-3	5
T480038.D01	38	17	5	1-3,5	5,5
T480040.D01	40	17	5	1-3	5,5
T480042.D01	42	17	5	1-2,5	7
T480043.D01	43	17	5	2-2,5	7
T480045.D01	45	17	5	1-3,5	7
T480046.D01	46	17	5	1-3,5	7,5
T480048.D01	48	17	5	1-3,5	7,8
T480050.D01	50	17	5	1-2,5	8
T480052.D01	52	19	5	1,5-3,5	9,5
T480055.D01	55	17	5	1-3	9,5
T480060.D01	60	24	5	1,5-3	16,5
T480065.D01	65	25	5	1,5-3,5	18,5
T480070.D01	70	25	5	1,5-4,5	25
T480075.D01	75	27	6	1-3,5	24
T480080.D01	80	25	4	1,5-3	32,5
T480085.D01	85	27	6	1,5-4	28
T480090.D01	90	26	6	2,5-5	34
T480095.D01	95	27	6	1-4	34,5
T480100.D01	100	35	6	2-4,5	43



BOTECA

ART. T481

SQUARE TUBE INSERT

MATERIAL:

Square head with ribbed insert in Polyethylene (LDPE).

SURFACE:

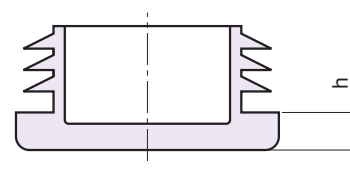
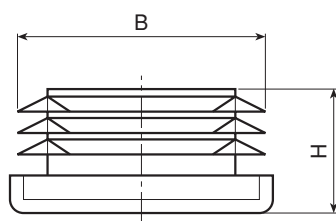
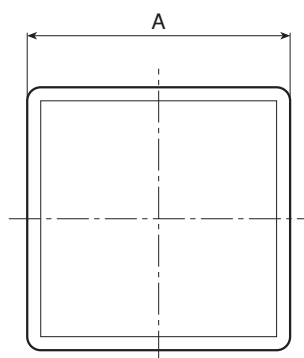
Satin.

COLOUR:

Black (RAL 9011).

SPECIAL REQUESTS:

- None.



Art.	A	H	h	B - Tube thickness (min - max)	Weight (gr)
T481010.D01	10	16	4	1-2	1
T481012.D01	12	16	4	1-2	1
T481013.D01	13	16	4	1-2	1
T481015.D01	15	17	4	1-2	1
T481016.D01	16	17	5	1-2,5	1,5
T481018.D01	18	17	5	1,5-3	2
T481020.D01	20	17	5	1-3	2,5
T481022.D01	22	17	5	1-3,5	2,5
T481025.D01	25	17	5	1-3	3,5
T481028.D01	28	17	5	1-3	4
T481030.D01	30	17	5	1-2,5	4,5
T481032.D01	32	17	5	1-3,5	6
T481034.D01	34	20	5	1-3	6
T481035.D01	35	20	5	1-3	6
T481038.D01	38	20	5	1-3,5	7,5
T481040.D01	40	20	5	1-3	8
T481045.D01	45	20	5	1-3	9
T481050.D01	50	20	5	1-2,5	11
T481055.D01	55	20	5	2-4,5	12,5
T481060.D01	60	29	5	1,5-3,5	19
T481065.D01	65	26	5	2-4,5	23,5
T481070.D01	70	24	5	2-5	25
T481075.D01	75	27	6	2-4,5	26,5
T481080.D01	80	27	6	2-4	28
T481090.D01	90	31	6	3-5	47,5
T481095.D01	95	28	6	3,5-5,5	52
T481100.D01	100	31	7	1-4	51,5



BOTECA

ART. T482

RECTANGULAR TUBE INSERT

MATERIAL:

Rectangular head with ribbed insert in Polyethylene (LDPE).

SURFACE:

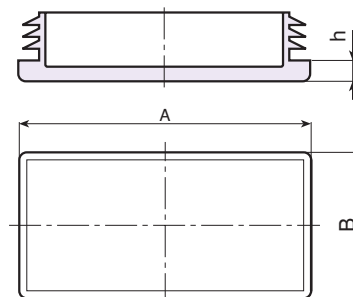
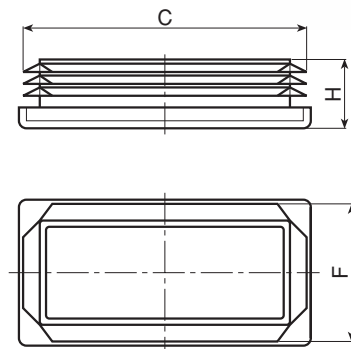
Satin.

COLOUR:

Black (RAL 9011).

SPECIAL REQUESTS:

- None.



Art.	AxB	H	h	CxF - Tube thickness (min - max)	Weight (gr)
T482.D20X1001	20x10	14	3	0,8-2	1
T482.D20X1501	20x15	17	5	1-2	2
T482.D25X1001	25x10	15	3	0,8-2	1,5
T482.D25X1501	25x15	17	3	1-2,5	2,5
T482.D25X2001	25x20	15	3	1-3	3
T482.D30X1001	30x10	17	5	1-2	2
T482.D30X1501	30x15	17	5	1-2,5	3
T482.D30X2001	30x20	17	5	1-3	3,5
T482.D35X1001	35x10	17	5	1-2	3
T482.D35X2001	35x20	17	5	1-2,5	4
T482.D35X2501	35x25	17	5	1-3	5
T482.D35X3001	35x30	17	5	1-1,5	6
T482.D40X1501	40x15	17	5	1-1,5	3,5
T482.D40X2001	40x20	17	5	1-2,5	4,5
T482.D40X2501	40x25	17	5	1-3	5
T482.D40X3001	40x30	17	5	1-3	7
T482.D40X3501	40x35	17	5	1-3	7
T482.D45X1501	45x15	17	5	1,5-2	3,5
T482.D45X2001	45x20	17	5	1-3	5
T482.D45X2501	45x25	17	5	1-3	5,5
T482.D45X3001	45x30	17	5	1-2,5	6
T482.D45X3501	45x35	17	5	1-3,5	6
T482.D50X2001	50x20	20	5	1-3	6
T482.D50X2501	50x25	20	5	1-3	6,5
T482.D50X3001	50x30	20	5	1-3	7,5
T482.D50X3501	50x35	20	5	1-3,5	11
T482.D50X4001	50x40	18	5	1,5-2,5	11

Art.	AxB	H	h	CxF - Tube thickness (min - max)	Weight (gr)
T482.D55X4001	55x40	20	5	1,5-4	11,5
T482.D60X2001	60x20	20	5	1-3	7,5
T482.D60X2501	60x25	20	5	1-2,5	8
T482.D60X3001	60x30	20	5	1-2,5	9,5
T482.D60X3501	60x35	20	5	1,5-3,5	12
T482.D60X4001	60x40	20	5	1-3	11,5
T482.D60X4501	60x45	20	5	1,5-4	14
T482.D60X5001	60x50	20	5	1,5-3,5	14
T482.D70X2001	70x20	24	5	1-2	12,5
T482.D70X2501	70x25	24	5	1,5-2,5	12,5
T482.D70X3001	70x30	24	5	1-2	14,5
T482.D70X3501	70x35	24	5	1,5-3,5	15
T482.D70X4001	70x40	24	5	1,5-2,5	17
T482.D80X2001	80x20	23	5	1,5-2	14
T482.D80X3001	80x30	23	5	1-2,5	12,5
T482.D80X4001	80x40	23	5	1-3	16
T482.D80X5001	80x50	23	5	2-4	22
T482.D80X6001	80x60	29	5	1,5-3,5	27
T482.D90X2001	90x20	20	5	1-2,5	12,5
T482.D90X4001	90x40	20	5	2-4	13,5
T482.D90X5001	90x50	28	6	2-4,5	17,5
T482.D90X7001	90x70	28	6	3-5,5	18,5
T482.D100X3001	100x30	20	5	1,5-3,5	17
T482.D100X4001	100x40	20	5	1,5-4	20,5
T482.D100X5001	100x50	30	6	2-4,5	37
T482.D100X6001	100x60	30	6	2,5-4,5	33
T482.D100X8001	100x80	26	7	3-5,5	35



BOTECA