

ART. T480

ROUND TUBE INSERT

WWW.TGCOM.IT

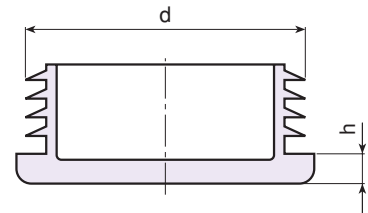
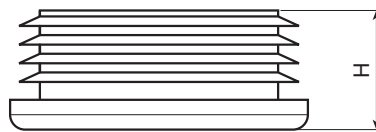
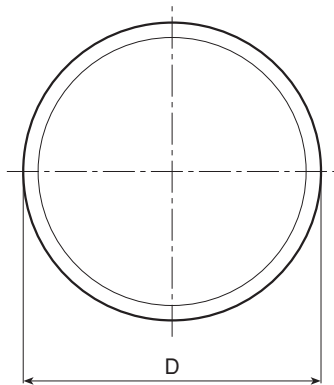
Polyethylene (LDPE).

SURFACE:
Satin.

COLOUR:
Black (RAL 9011).

SPECIAL REQUESTS:

- None.



Art.	D	H	h	d - Tube thickness (min - max)	Weight (gr)
T480010.D01	10	15	3,5	1-2	0,5
T480012.D01	12	15	3,5	1-2	0,5
T480013.D01	13	15	4,5	1-2	0,5
T480014.D01	14	17	5	1-2	1
T480015.D01	15	16	5	1-2	1
T480016.D01	16	17	5	1-2	1,5
T480018.D01	18	17	5	1-2,5	1,5
T480019.D01	19	17	5	1-2,5	1,8
T480020.D01	20	17	5	1-2,5	2
T480022.D01	22	17	5	1-3	2
T480023.D01	23	17	5	1-2,5	2,5
T480024.D01	24	17	5	1-2,5	2,5
T480025.D01	25	17	5	1-3	2,5
T480026.D01	26	17	5	1-3	3
T480027.D01	27	17	5	1-3	3
T480028.D01	28	17	5	1-2,5	3
T480030.D01	30	17	5	1-2,5	4
T480032.D01	32	17	5	1-2,5	3,5
T480034.D01	34	17	5	1-3	5
T480035.D01	35	17	5	1-3	4,5
T480036.D01	36	17	5	1-3	4,5

Art.	D	H	h	d - Tube thickness (min - max)	Weight (gr)
T480037.D01	37	17	5	1-3	5
T480038.D01	38	17	5	1-3,5	5,5
T480040.D01	40	17	5	1-3	5,5
T480042.D01	42	17	5	1-2,5	7
T480043.D01	43	17	5	2-2,5	7
T480045.D01	45	17	5	1-3,5	7
T480046.D01	46	17	5	1-3,5	7,5
T480048.D01	48	17	5	1-3,5	7,8
T480050.D01	50	17	5	1-2,5	8
T480052.D01	52	19	5	1,5-3,5	9,5
T480055.D01	55	17	5	1-3	9,5
T480060.D01	60	24	5	1,5-3	16,5
T480065.D01	65	25	5	1,5-3,5	18,5
T480070.D01	70	25	5	1,5-4,5	25
T480075.D01	75	27	6	1-3,5	24
T480080.D01	80	25	4	1,5-3	32,5
T480085.D01	85	27	6	1,5-4	28
T480090.D01	90	26	6	2,5-5	34
T480095.D01	95	27	6	1-4	34,5
T480100.D01	100	35	6	2-4,5	43



BOTECA